

GAS EQUIPMENT



842-PP



840-PP

841-PP

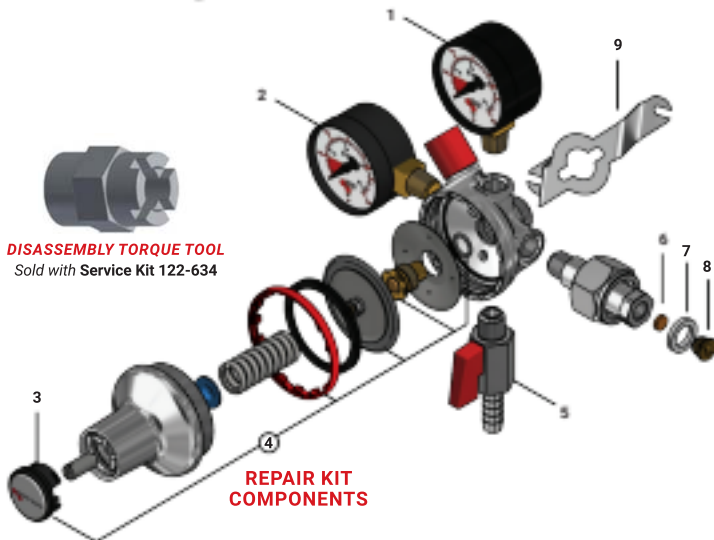


842WM6-PP



942BN-PP

DISASSEMBLY TORQUE TOOL
Sold with Service Kit 122-634



REPAIR KIT COMPONENTS

PREMIUM PLUS REGULATORS

PREMIUM PLUS PRIMARY LOW PRESSURE 0 – 60 PSI REGULATOR FEATURES:

- Safety relief valve releases at 55 – 70 psi
- Factory leak tested for accuracy and performance
- Tamper evident adjustment screw and bonnet
- Fixed exchangeable inlet seal
- Enlarged CO₂ port for high volume
- Premium quality metal gauges

PART NO.	DESCRIPTION
PRIMARY CO₂	
842-PP	Double gauge CO ₂ regulator - Premium Plus
842-HB-PP	Double gauge CO ₂ regulator with check valve - Premium Plus
842-2-PP	Double gauge CO ₂ regulator, 2 shutoffs - Premium Plus
842-BATTERY-PP	Dual CO ₂ regulator battery - Premium Plus
841-ADDON-PP	CO ₂ regulator add on - Premium Plus
842-15-PP	Double gauge CO ₂ regulator, 0 – 15 psi - Premium Plus
841-PP	Single gauge CO ₂ regulator - Premium Plus
841-2-PP	Single gauge CO ₂ regulator, 2 shutoffs - Premium Plus
840-PP	Gauge-less CO ₂ regulator, preset at 30 psi - Premium Plus
NITROGEN	
842N-15-2-PP	Double gauge nitrogen regulator, 0 – 15 psi, 2 shutoffs - Premium Plus
842N-15-PP	Double gauge nitrogen regulator, 0 – 15 psi, Premium Plus
842N-PP	Double gauge nitrogen regulator, Premium Plus
WALL MOUNT REGULATOR	
842WM6-PP	Double gauge CO ₂ regulator with 6 ft hose - Premium Plus
842WM6-2-PP	Double gauge CO ₂ regulator with 6 ft hose, 2 shutoffs - Premium Plus

PREMIUM PLUS PRIMARY HIGH PRESSURE 0 – 120 PSI REGULATOR FEATURES:

- Adjust pressure from 10 to 110 psi
- Factory leak tested for accuracy and performance
- Tamper evident adjustment screw and bonnet
- Fixed exchangeable inlet seal
- Enlarged CO₂ port for high volume
- Safety relief valve releases at 115 – 130 psi

PART NO.	DESCRIPTION
942-PP	Soda – Double gauge CO ₂ regulator - Premium Plus
942B-PP	Beer – Double gauge CO ₂ regulator - Premium Plus
HIGH PRESSURE NITROGEN REGULATOR	
942BN-PP	Beer – Double gauge nitrogen regulator - Premium Plus

PREMIUM PLUS SERIES COMPONENTS

NO.	PART NO.	DESCRIPTION
1	3450007	Pressure gauge 0 – 60 psi
1A	3450016	Pressure gauge 0 – 15 psi
1B	3450120	Pressure gauge 0 – 120 psi
2	3450007-R	Pressure gauge 0 – 3000 psi
3	791-046W	Tamper evident cap for CO ₂ (white cap)
3	791-047B	Tamper evident cap for N (black cap)
4	122-634	Service kit WITH TOOL
4A	122-635	Service kit without tool
5	1319146	Shutoff device 5/16" barb
5A	1319081	Shutoff device 1/4" barb
5B	1600CAB	Shutoff with check valve
6	3500138	CO ₂ filter
6A	3500139	Nitrogen filter
7	3200086-N	Nylon CO ₂ inlet seal
7A	122-192	O-ring nitrogen
8	4201075	Retaining nut CO ₂
8A	4201085	Retaining nut nitrogen
9	107-782	Wall bracket for regulator